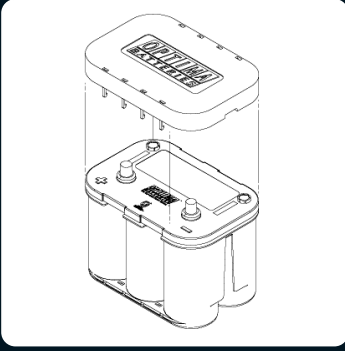
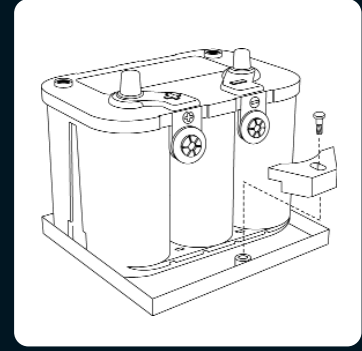
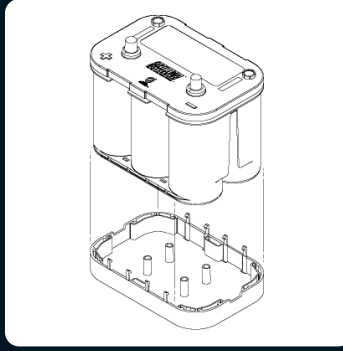


## ADAPTER FOR ALL BATTERIES TYPE 4,2



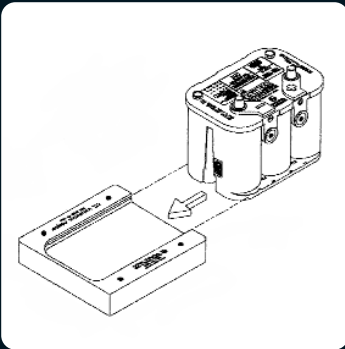
242-0018 red / 242-0033 yellow

Adapter in the colour of the battery. For the bottom to heighten the battery or on top to hide the terminals.



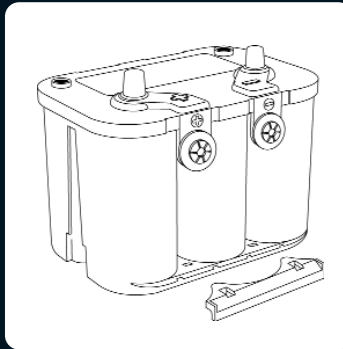
242-0041

For most GM installations where the side terminals are used (group 78) and replacement hold down.



242-0046

6TL adapter, Special Military (NSN 6160-01 453-0858)



242-0025

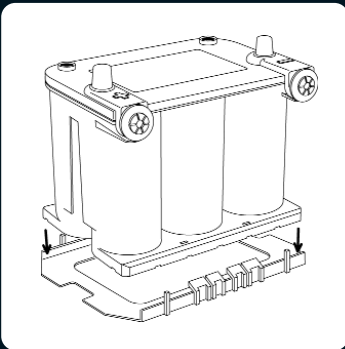
Set of two. Adapting battery for the width of group 65. Attach on either side of the battery base.



242-0026

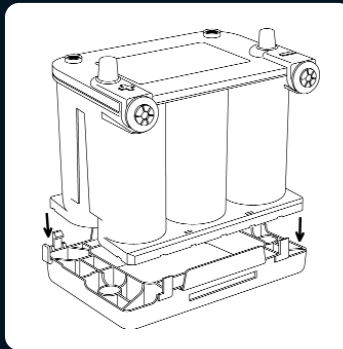
Set of two. 19 mm DIN hold down (B14). Attach on either side of the battery base.

## ADAPTER FOR ALL BATTERIES TYPE 3,7

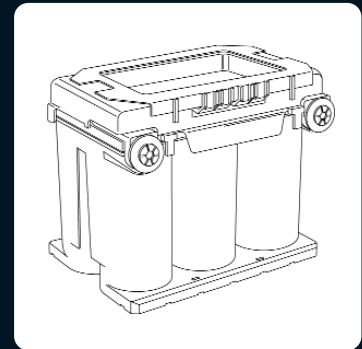


242-0073 Part A

Two piece. Adapting battery for width of group 65 and 59 (side hold down).

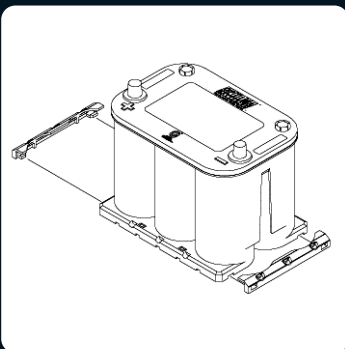


242-0073 Part B



242-0073 On top (both)

Adapting battery for height of group 35, 24 and 21 or on top to hide the terminals.



242-0004

Set of two. Adds DIN end hold down feature 10.5 mm (B3).